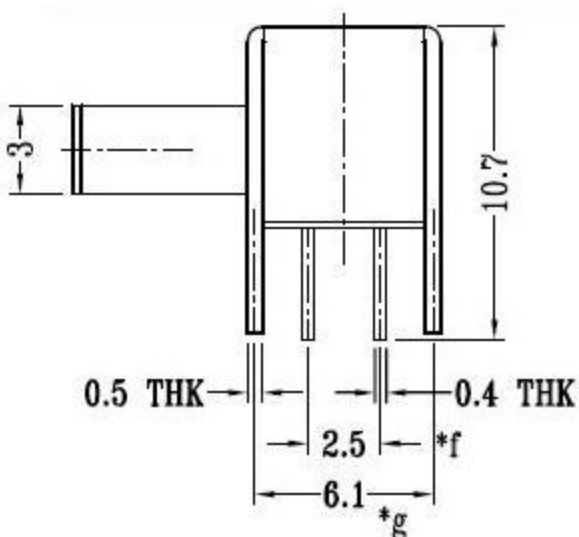
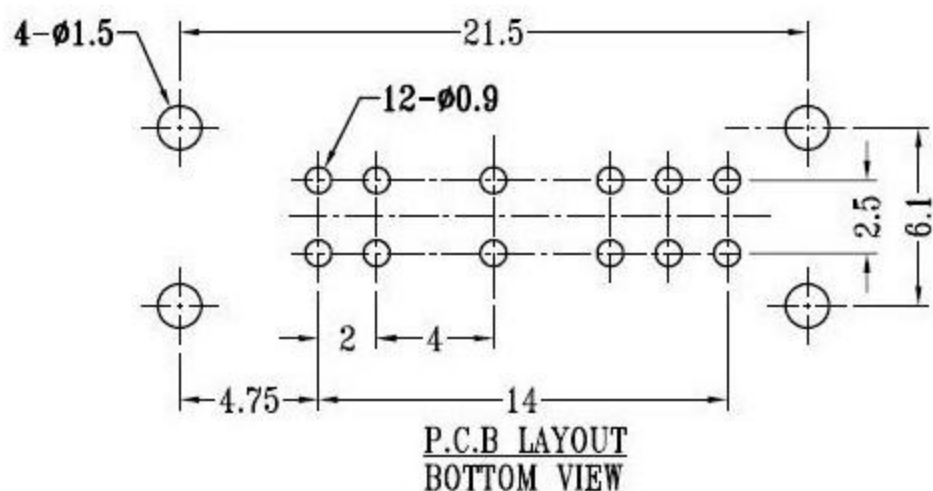
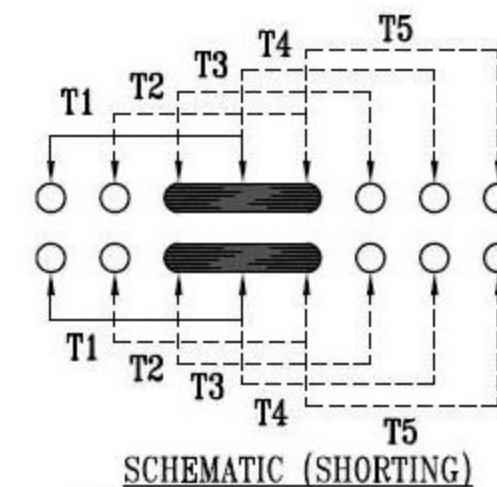
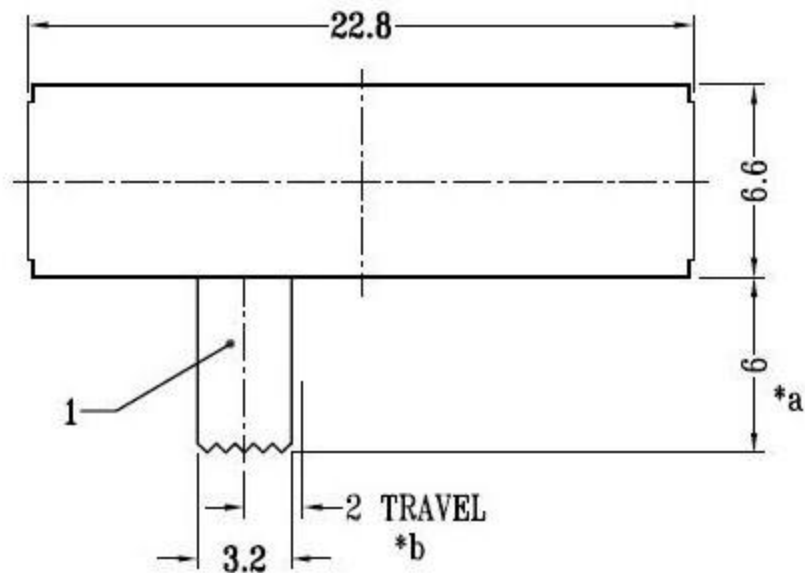
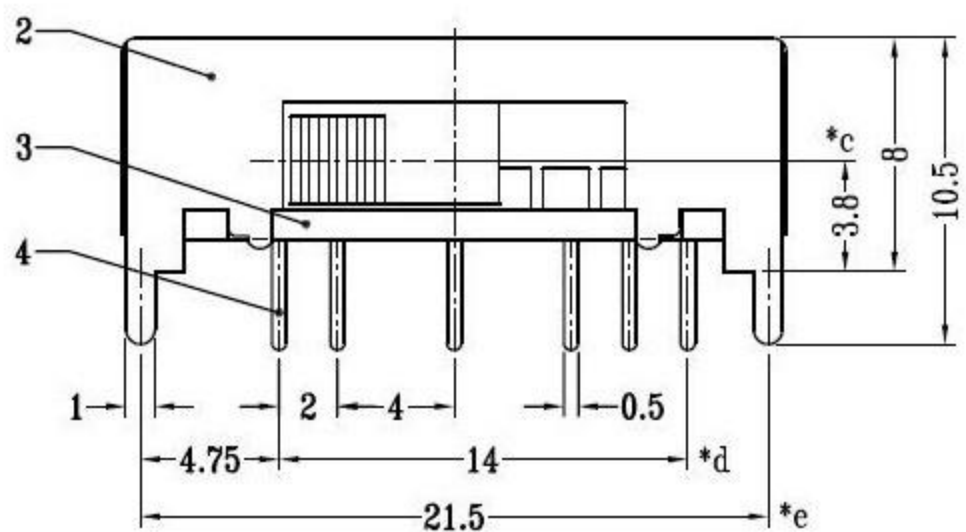


CAD FILE:



拨动开关侧拨技术参数:

1. 额定负荷: DC 30V 50V 0.3A 0.5A
2. 接触阻抗:  $\leq 50m\Omega$
3. 绝缘阻抗:  $\geq 100m\Omega$  DC500V
4. 耐焊温度:  $250 \pm 5^\circ$  5s
5. 使用寿命: 10,000 cycles
6. 使用温度:  $-25^\circ\text{C}$  to  $80^\circ\text{C}$
7. 使用湿度:  $\leq 85\%$  RH
8. 操作力: 160gf 256gf 300gf 可定制
9. 手柄长度: 2mm-10mm 可定制

NO.	PARTS	MATERIALS	QTY	FINISH	TOLERANCE UNLESS SPECIFIED		TITLE: HORIZONTAL SLIDE SWITCH		UNIT : mm	DRWG NO.:		
8					UNLESS SPECIFIED		MODEL:		SCALE: 2:1	DWN	2012-12-25	
7	STEEL BALL	STEEL	1	NATURAL	WITHIN		A	2012-12-25	初板			
6	SPRING	STEEL WIRE	1	NATURAL	OVER		ISSUE	DATE	DESCRIPTIONS OF REVISION			
5	CONTACT CLIP	PBS STRIP	2	Ag PLATED					APPD			
4	TERMINAL	BRASS STRIP	10	Ag PLATED								
3	BASE	PHENOLIC RESIN	1	BLACK								
2	FRAME	STEEL STRIP	1	Ni PLATED								
1	KNOB	POM	1	BLACK								
					<b>东莞市高迪电子有限公司</b>							
										CHK'D		
										APPD	2012-12-25	